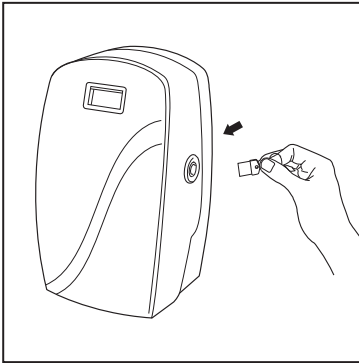
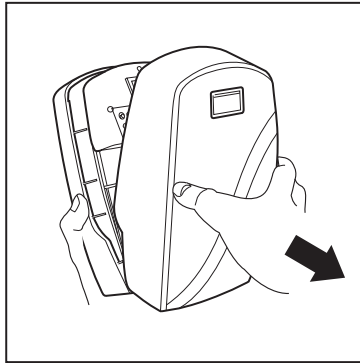


SD 300 & SD 320

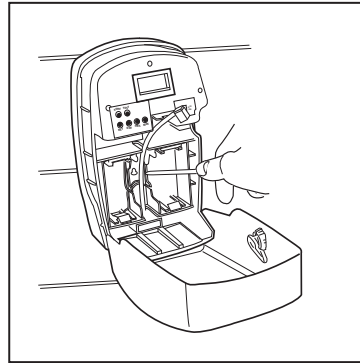
Sanitizer Dispenser Installation Instructions (Side Mounting)



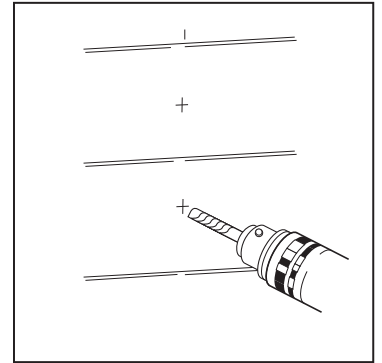
1 Insert key into key lock and turn until a click sound is heard.



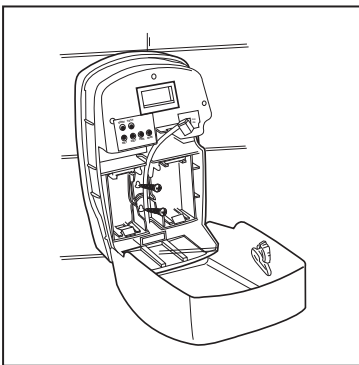
2 Pull out cover from base plate.



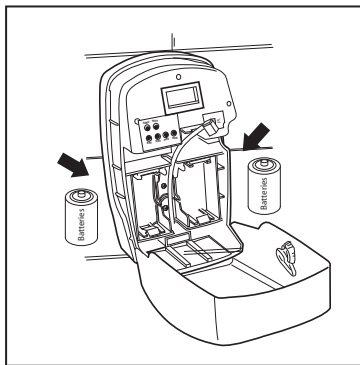
3 Mark position of holds on walls to be drilled.



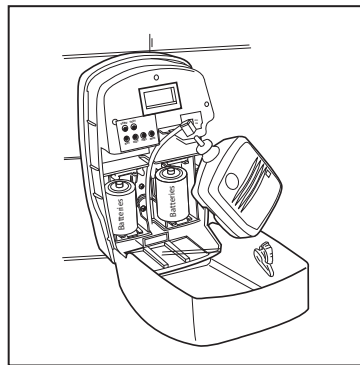
4 Drill 6mm diameter holes with approximately 6mm depth.



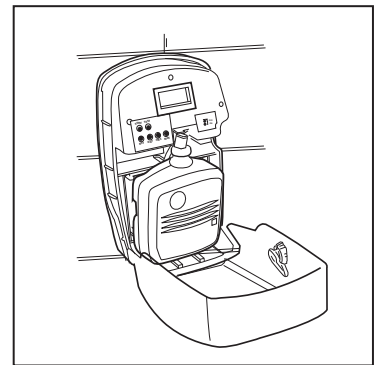
5 Insert plug provided and mount the dispenser onto the wall.



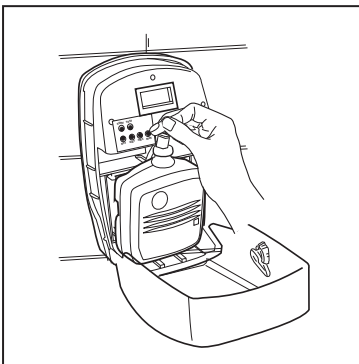
6 Insert 2'D size batteries into battery compartment.



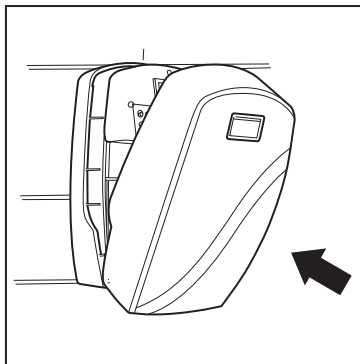
7 Insert sanitizer refill into tube.



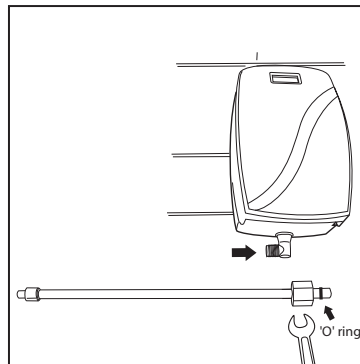
8 Place sanitizer refill into refill compartment.



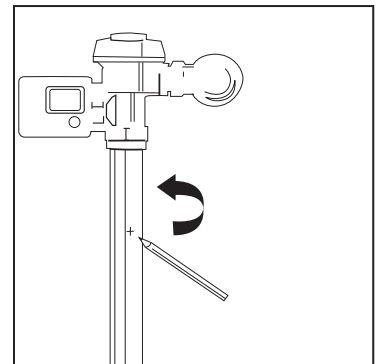
9 Program settings according to instructions (refer to separate sheet).



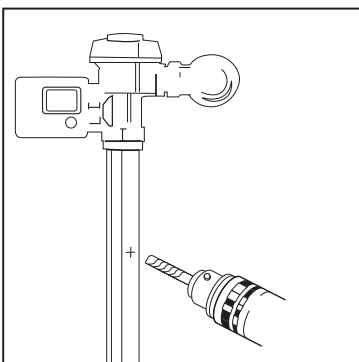
10 Replace cover by pushing inwards and use key to lock cover.



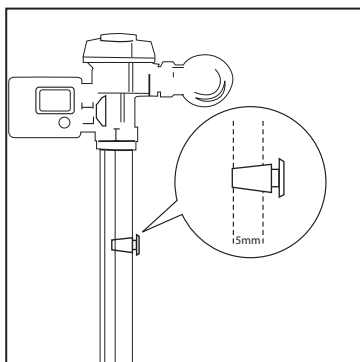
11 Insert plastic screw and 'O' ring into one end of pipe and metal screw into the other end.



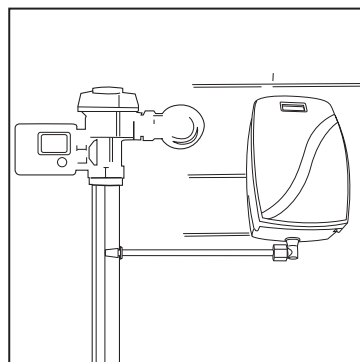
12 Mark the position of urinal / WC pipe. Loosen and twist the pipe to the front for easy drilling.



13 Use 6mm drill bit to drill a hole on urinal / WC pipe.



14 Insert the rubber nipple onto the 6mm hole. (Use pen knife to cut away 5mm length of nipple if installed on 16mm diameter urinal pipe).



15 Mount sanitizer onto urinal / WC pipe.